

Part number

# CHP 06 LS



## Brief description:

surface mounting housings with single lever, size "44.27", metal cover, Pg16, metal version, IP65

### Product description

Version	metal version
Series	surface mounting housings with single lever
Product type	with 1 lever
Variant	metal cover
Family	CLASS enclosures
Size	size "44.27"

### Technical data

Material	metal
IP degree of protection	IP65
Cable entry	Pg16

### Further technical details

Weight	257,00 g
--------	----------

### Approvals / Standards

Quality mark	 (type:4/4X/12),  , EAC
Conformity	CQC, CE

### General ordering information

EAN13 code	8015747021531
Tariff number	85369095

### Packaging Information

Packaging length	475,00 mm
Packaging height	160,00 mm
Packaging width	140,00 mm
Packaging weight	2,81 kg
Packaging volume	10,64 dm <sup>3</sup>
Packaging description	Carton box
Packaging quantity	10 Pcs
Packaging EAN code	8015747021548
Sub-packaging weight	1,41 kg
Sub-packaging description	Plastic pakaging
Sub-packaging quantity	5 Pcs
Sub-packaging EAN barcode	8015747021555

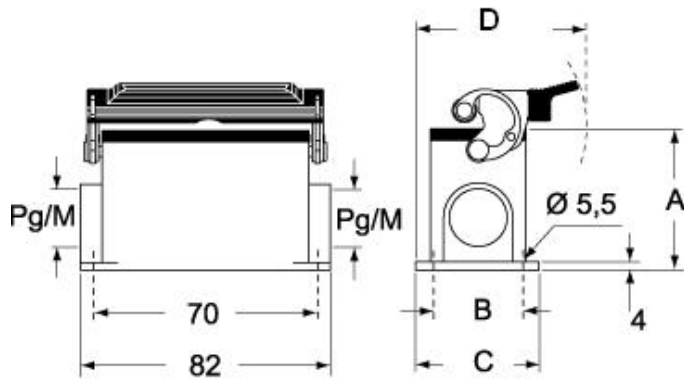
Part number

# CHP 06 LS



Catalogue drawings

## CHP L CAP L - MHP L MAP L



## CHP LS CAP LS - MHP LS MAP LS

